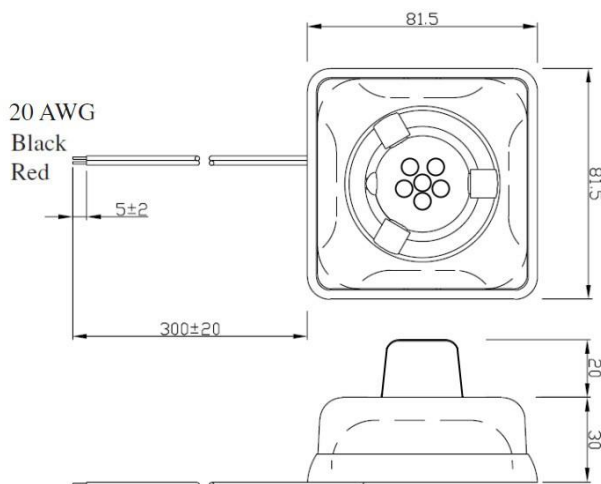


Electronic Siren
Model No:FS-100A



ELECTRICAL CHARACTERISTICS OF MODEL NO:FS-100A

Operation Voltage:	24V DC (Typical) 18V DC (Min.) ~ 28V DC (Max.) With reverse polarity protection
Siren with Strobe	45mA (Typical), 60mA (Max.)
S.P.L. (at 1 meter):	100 ± 5dB (at 24V DC)
Siren tone Frequency:	2.9KHz ± 30%
Strobe Intensity	OVER 15,000mcd.(6pcs Super Bright LED)
Continue Operation Test:	Over 4 hours (at 24V DC)
Life Test:	“ON” 1 minute, “OFF” 30 seconds, Duty Cycle(at 24V DC) Continuously over 100 hours period
Material	ABS+PC
Operation Temperature	-10 °C Min. to + 65 °C Max. (10 minutes)
Storage Temperature	-40°C Min. to + 75°C Max.
European IP –Norms.	IP55