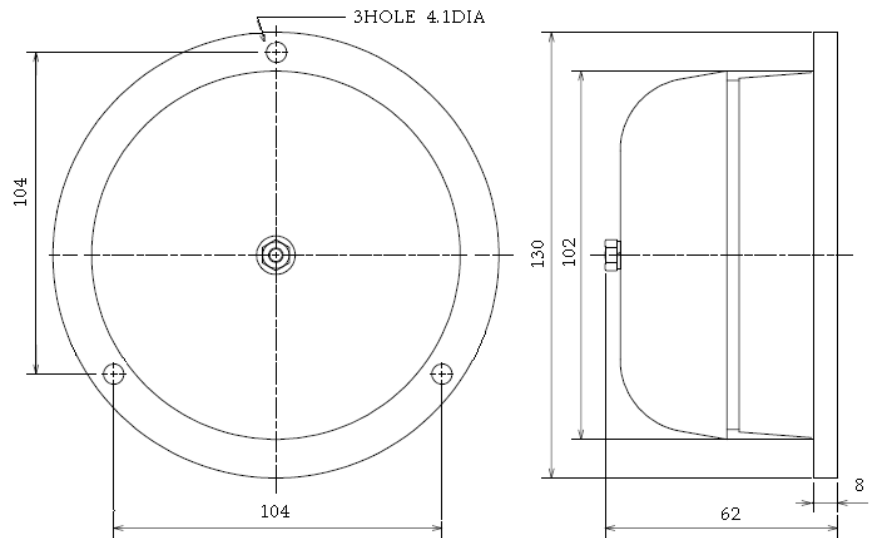


ALARM BELL

Model No:MB-4B-6-R



ELECTRICAL CHARACTERISTICS OF MODEL NO:MB-4B-6-R

Operation Voltage	6 VDC (For Elevator Use)
Operation Current	250 ma \pm 10%
Start Voltage	5 VDC
S.P.L(at 3 ft)	83+/-2DB
Housing Material	ABS & Iron paint
Color	Red, Grey
Packing:	50PCS/1CTN
Certificate	CE Approval
Lead Wire	1015 #22 12CM
Continue Operation Test	Over 4 hours(at 6 VDC)