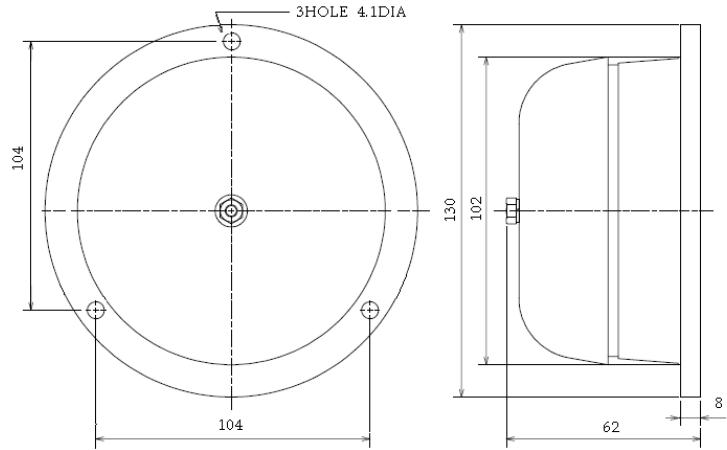


**ALARM BELL**

Model No:MB-4B-100-R


**ELECTRICAL CHARACTERISTICS OF MODEL NO:MB-4B-100-R**

Operation Voltage	110 VAC
Operation Current	<50 mA
Start Voltage	110 VAC
S.P.L(at 3 ft )	90±3DB
Housing Material	ABS & Iron paint
Gong Color	Red
Continue Operation Test	Over 4 hours(at 110VAC)
Lead Wire	1015 18AWG 20CM
Weight	427g/pcs ; 19.3kg/ctn
Packing:	50PCS/1CTN