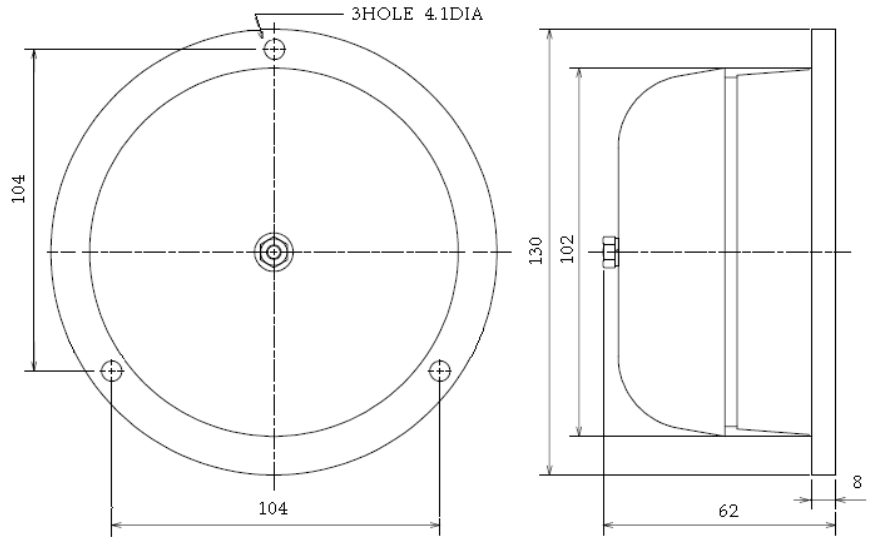


**ALARM BELL**

Model No:MB-4B-12-R



**ELECTRICAL CHARACTERISTICS OF MODEL NO:MB-4B-12-R**

Operation Voltage	12VDC
Operation Current	180 ma±10%
Start Voltage	11VDC
S.P.L(at 3 ft )	83+/-2DB
Housing Material	ABS & Iron paint
Color	Red, Grey
Packing:	50PCS/1CTN
Certificate	CE Approval
Lead Wire	1015 #22 12CM
Continue Operation Test	Over 4 hours(at 12 VDC)