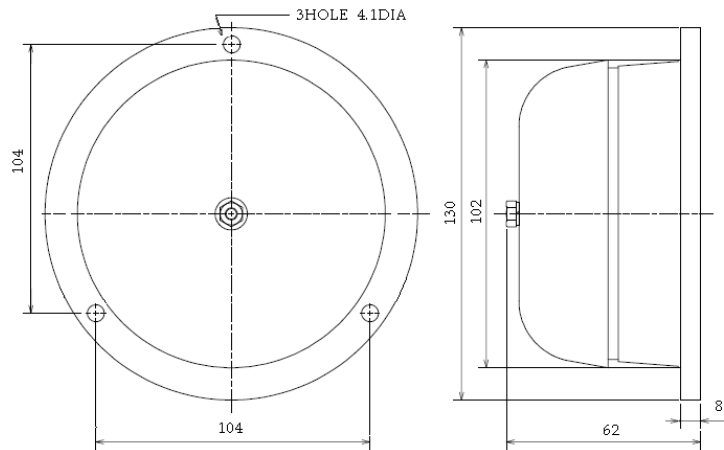


**ALARM BELL**

Model No:MB-4B-220-R


**ELECTRICAL CHARACTERISTICS OF MODEL NO:MB-4B-220-R**

Operation Voltage	220 VAC
Operation Current	<50 mA
Start Voltage	220 VAC
S.P.L(at 3 ft )	>90 DB
Housing Material	ABS & Iron paint
Gong Color	Red
Continue Operation Test	Over 4 hours(at 220VAC)
Lead Wire	1015 18AWG 20CM
Weight	387g/pcs ; 19.3kg/ctn
Packing:	50PCS/1CTN