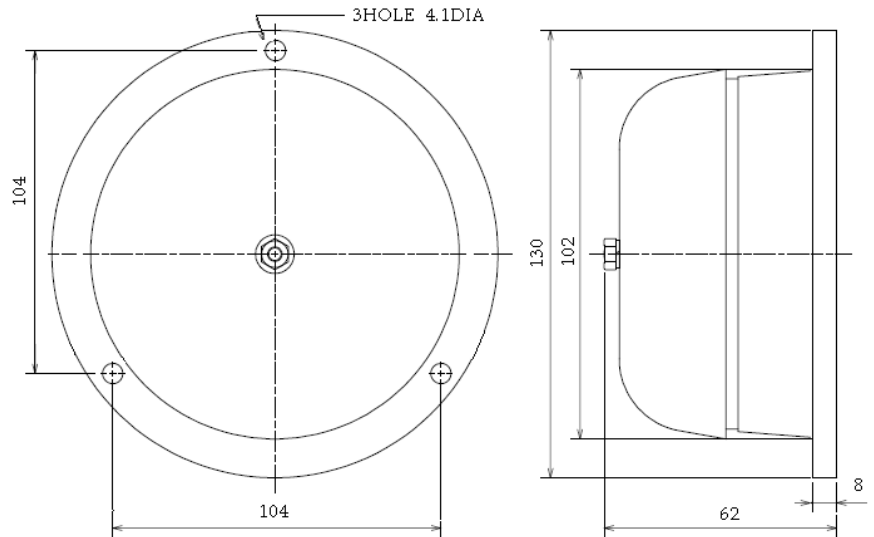


ALARM BELL

Model No:MB-4B-24-R



ELECTRICAL CHARACTERISTICS OF MODEL NO:MB-4B-24-R

Operation Voltage	24VDC
Operation Current	100 ma \pm 10%
Start Voltage	22VDC
S.P.L(at 3 ft)	>83DB
Housing Material	ABS & Iron paint
Gong Color	Red
Continue Operation Test	50PCS/1CTN
Lead Wire	1007 #22 20CM
Weight	400g