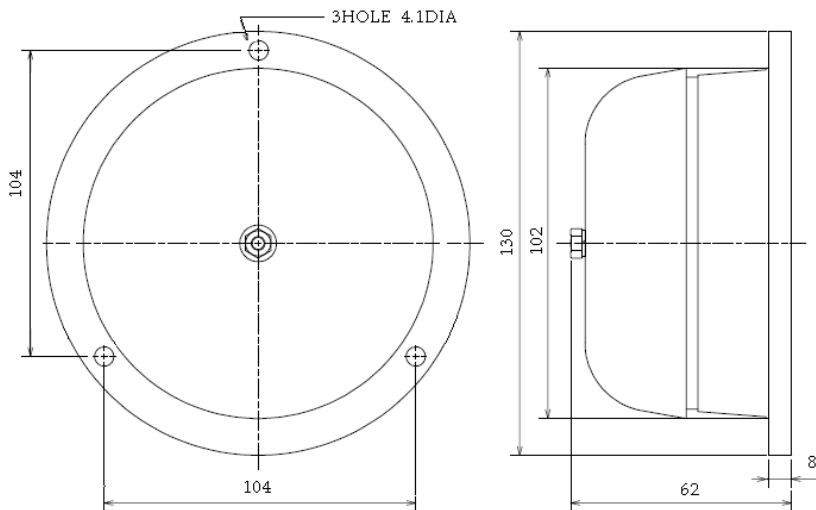


## ALARM BELL

Model No:MC-406



### ELECTRICAL CHARACTERISTICS OF MODEL NO:MC-406

Operation Voltage	6 VDC
Operation Current	< 250 ma
Start Voltage	5 VDC
S.P.L(at 3 ft )	83+/-3DB
Housing Material	ABS & Iron paint
Color	Red, Grey
Packing:	50PCS/1CTN
Lead Wire	1007 #22 12CM
Continue Operation Test	Over 4 hours(at 6 VDC)