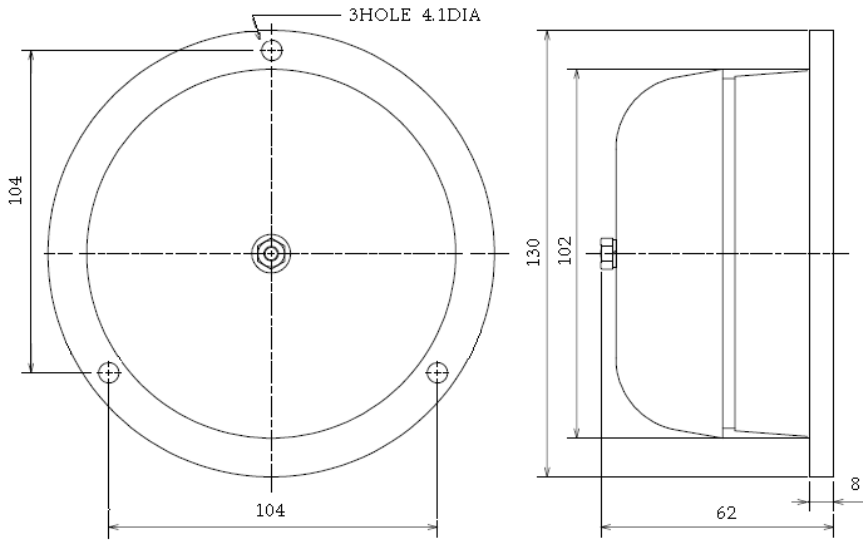


ALARM BELL
Model No:MC-412



ELECTRICAL CHARACTERISTICS OF MODEL NO:MC-412

Operation Voltage	12VDC
Operation Current	40 ma±10%
Start Voltage	11VDC
S.P.L(at 3 ft)	83+/-2DB
Housing Material	ABS & Iron paint
Gong Color	Red, Grey
Packing:	50PCS/1CTN
Certificate	CE Approval
Lead Wire	1007 #22 12CM
Continue Operation Test	Over 12 hours(at 12 VDC)