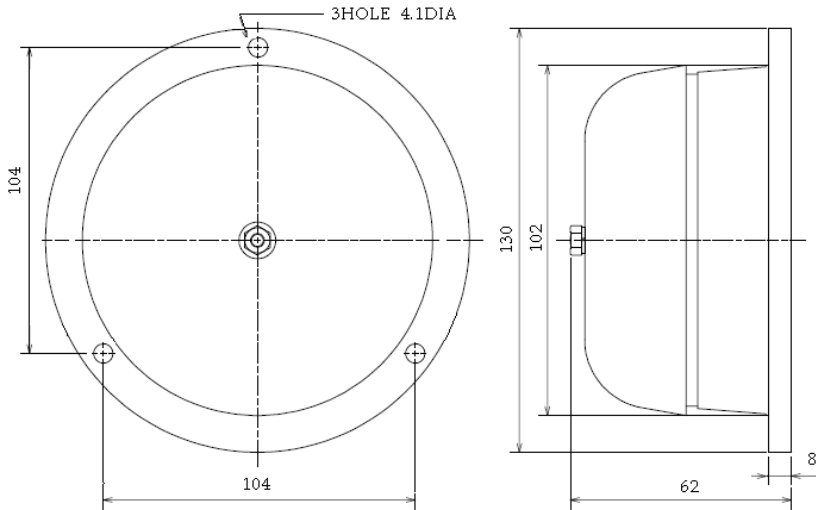


**ALARM BELL**  
**Model No:MC-424**



**ELECTRICAL CHARACTERISTICS OF MODEL NO:MC-424**

Operation Voltage	24VDC
Operation Current	20 ma±10%
Start Voltage	22VDC
S.P.L(at 3 ft )	83+/-2DB
Housing Material	ABS & Iron paint
Gong Color	Red, Grey
Packing:	50PCS/1CTN
Certificate	CE Approval
Lead Wire	1007 #22 12CM
Continue Operation Test	Over 12 hours(at 24 VDC)