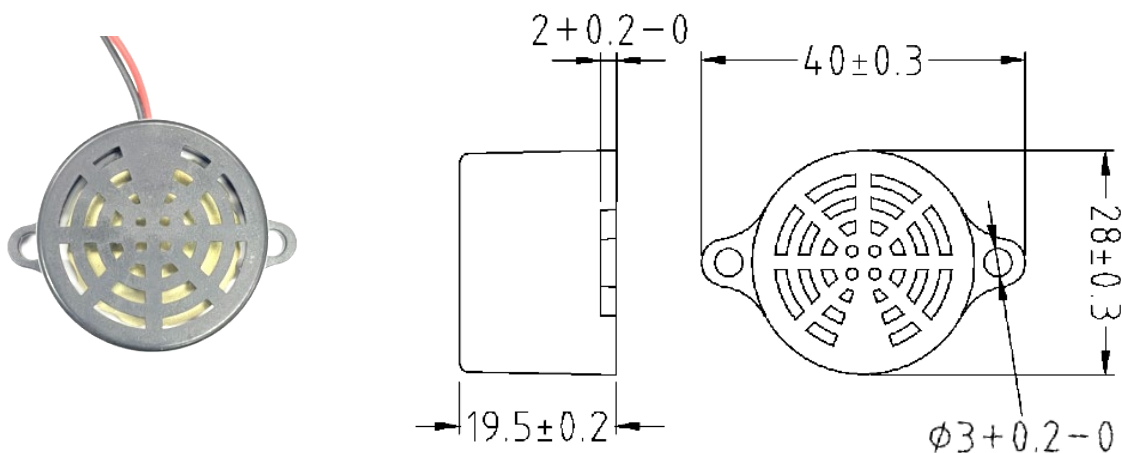




Model No:
ME2-6SL-N



ELECTRICAL CHARACTERISTICS OF MODEL NO:ME2-6SL-N

Operation Voltage	6 VDC (Typical)
Operation Current(at 6VDC)	<15 mA (Typical)
Sound	Single sound (red +,black -)
S.P.L(at 1m)	>75 dB <small>(Depending on the environment, test method, etc., there will be a difference of 1~2dB)</small>
Operation Frequency	2.8KHz ± 0.4 KHz
Continue Operation Test	Over 2 hours (at 6 VDC)
Housing Material	ABS
Wire	1007 28# 105mm Red ±5mm 1007 28# 105mm Black ±5mm
Operation Temperature	0°C Min to +50°C Max.
Storage Temperature	-10°C Min to +60°C Max.
Features	<ul style="list-style-type: none"> •Small size, low power consumption. •Easy install with two 3.1mm screw holes. •With reverse polarity protection
Uses	<ul style="list-style-type: none"> •Electric cabinet, Equipment warning, Machinery Refilling, Door closing.