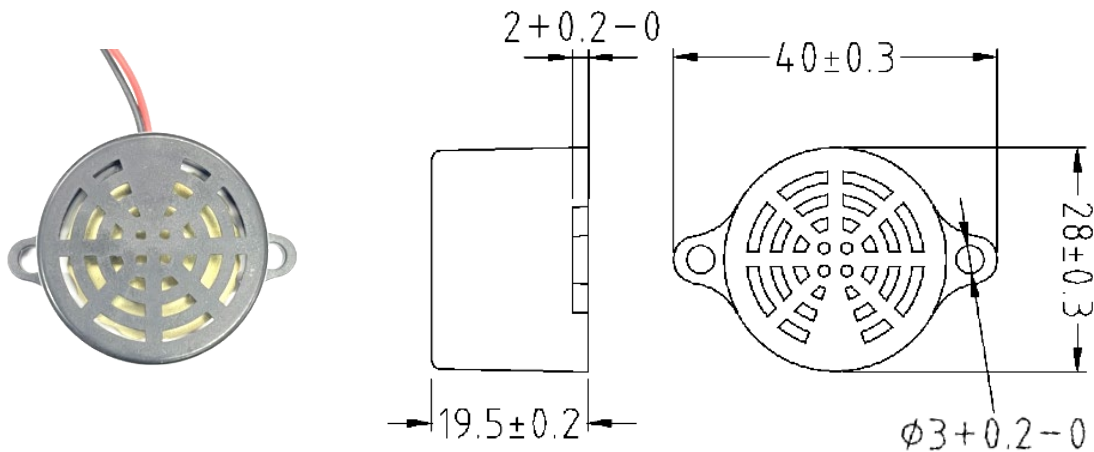


Model No :
ME2-24SL-N



ELECTRICAL CHARACTERISTICS OF MODEL NO:ME2-24SL-N

Operation Voltage	24 VDC (Typical)
Operation Current(at 24VDC)	<30 mA (Typical)
Sound	Single sound (red +,black -)
S.P.L(at 1m)	>80 dB <small>(Depending on the environment, test method, etc., there will be a difference of 1~2dB)</small>
Operation Frequency	2.8KHz ± 0.4 KHz
Continue Operation Test	Over 2 hours (at 24 VDC)
Housing Material	ABS
Wire	1007 28# 105mm Red±5mm 1007 28# 105mm Black±5mm
Operation Temperature	0°C Min to +50°C Max.
Storage Temperature	-10°C Min to +60°C Max.
Features	<ul style="list-style-type: none"> ●Small size, low power consumption. ●Easy install with two 3.1mm screw holes. ●With reverse polarity protection
Uses	<ul style="list-style-type: none"> ●Electric cabinet, Equipment warning, Machinery Refilling, Door closing.