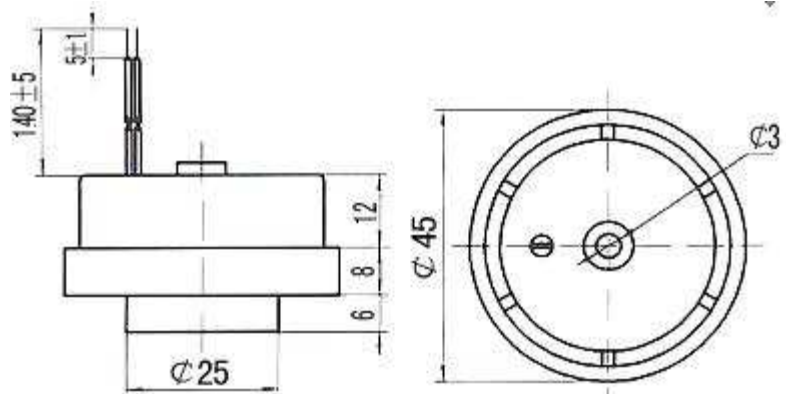


PIEZO BUZZER  
Model:ME3-12SL



ELECTRICAL CHARACTERISTICS OF MODEL NO:ME3-12SL

Operation Voltage	12VDC(Typical)
Operation Current(at 12V DC)	<10 mA (Typical)
Sound	Continuous
S.P.L(at 60cm)	100±2dB
Operation Frequency	3.2 ± 0.5 KHz
Continue Operation Test	Over 4 hours (at 12 VDC)
Housing Material	ABS
Operation Temperature	-20°C Min to +60°C Max.
Storage Temperature	-40°C Min to +70°C Max.
Features	<ul style="list-style-type: none"> <li>●Small size, low power consumption.</li> <li>●Easy install</li> <li>●With reverse polarity protection</li> </ul>
Uses	<ul style="list-style-type: none"> <li>●Electric cabinet, Equipment warning, Machinery Refilling, Door Closing.</li> <li>●Station, Sub-street, Department store , Shop, Bank, Warehouse , Hospital, Museum, Garage...Shutter &amp; Big door safety systems.</li> </ul>