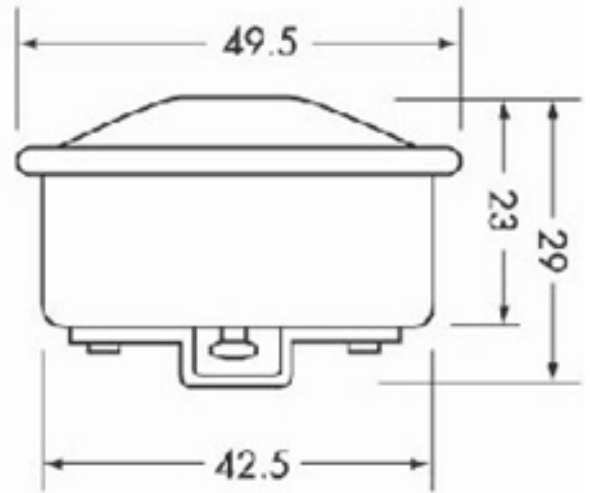


Metal Buzzer
 Model No:MM-12V



ELECTRICAL CHARACTERISTICS OF MODEL NO:MM-12V

Operation Voltage	12 V DC(Typical)
Operation Current	100ma±20%
Start Voltage	8 VDC
S.P.L(at 10 ft)	86 ±3DB
Housing Material	Ammonium plating
Lead Wire	1007 #22