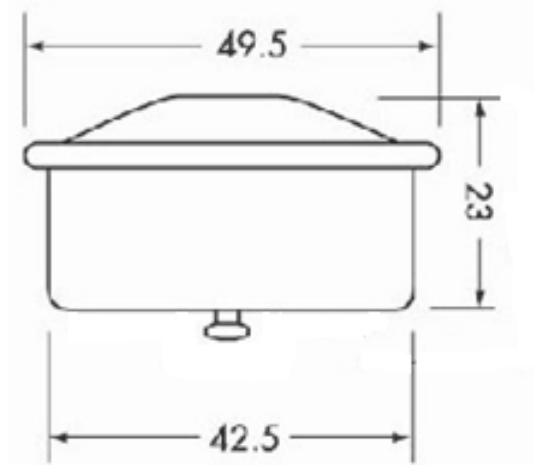


Metal Buzzer
 Model No:MM-24V



ELECTRICAL CHARACTERISTICS OF MODEL NO:MM-24V

Operation Voltage	24 V DC(Typical)
Operation Current	50ma±20%
Start Voltage	16 VDC
S.P.L(at 10 ft)	86 ±3DB
Housing Material	Ammonium plating
Lead Wire	1007 #22 31/6"±1/4"