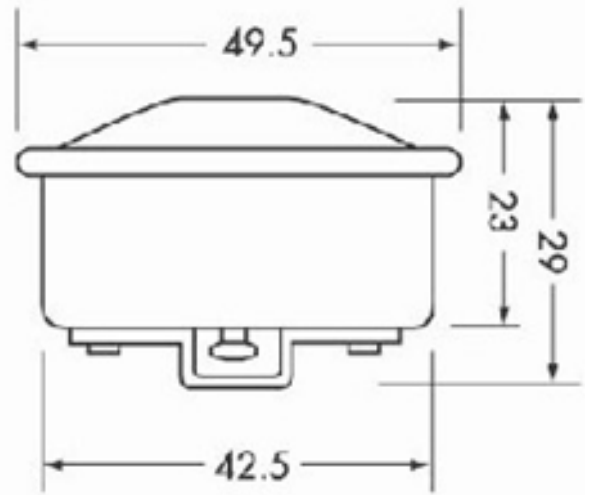


Metal Buzzer  
Model No:MM-3V



### ELECTRICAL CHARACTERISTICS OF MODEL NO:MM-3V

Operation Voltage	3 VDC(Typical)
Operation Current	250 ma $\pm$ 20%
Start Voltage	2.5 VDC
S.P.L(at 10 ft )	85 $\pm$ 3DB
Housing Material	Ammonium plating
Lead Wire	1007 #22