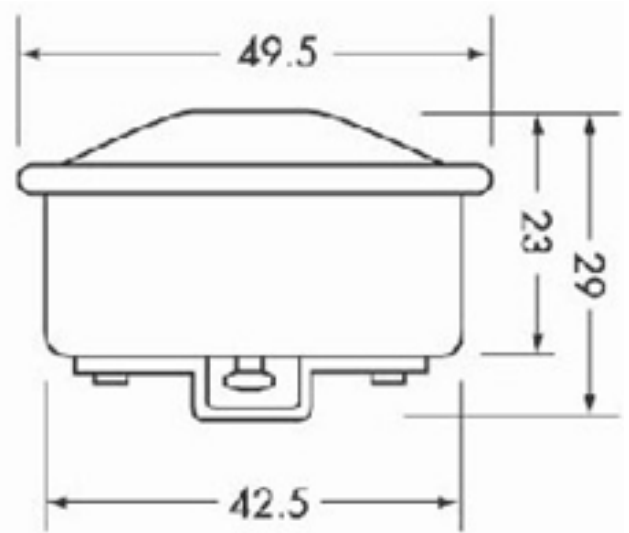


Metal Buzzer
Model No:MM-9V



ELECTRICAL CHARACTERISTICS OF MODEL NO:MM-9V

Rated Voltage	9 V DC(Typical)
Operation Voltage	7~10 V DC
Start Voltage	6V DC
Operation Current	$\leq 120\text{mA}$ at V DC
S.P.L(at 3 ft.)	$\geq 86\text{dB}$ at VDC
Lead Wire	Black 1007 #22 110mm Red 1007 #22 110mm
Resonant Frequency(Hz)	650 ± 100
Tone	Continuous sound