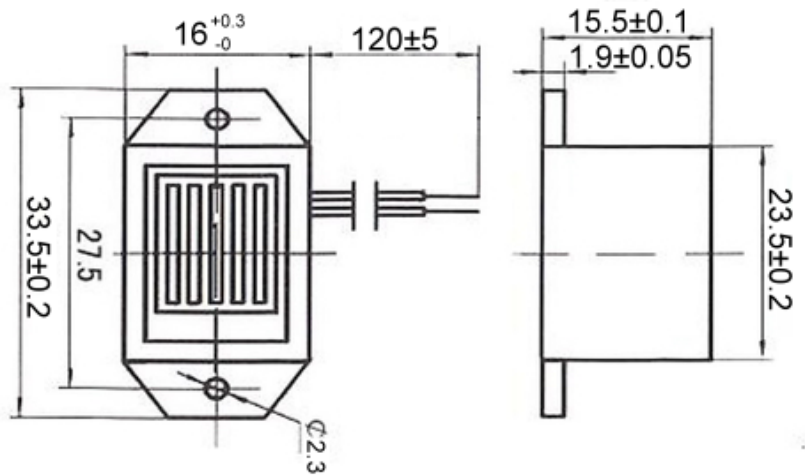
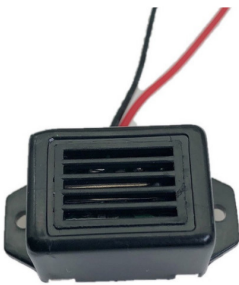


**Model No : MS-ST-12**



**ELECTRICAL CHARACTERISTICS OF MODEL NO : MS-ST-12**

Operation Voltage	12 VDC (Typical)
Operation Current(at 12VDC)	<10 mA (Typical)
Sound	Single sound (Red +, white -)
S.P.L(at 20cm)	>90 dB
Operation Frequency	400Hz $\pm$ 50Hz
Continue Operation Test	Over 2 hours (at 12 VDC)
Housing Material	ABS
Wire	1007 28# 120mm Red $\pm$ 5mm 1007 28# 120mm White $\pm$ 5mm
Operation Temperature	0°C Min to +50°C Max.
Storage Temperature	-10°C Min to +60°C Max.
Features	<ul style="list-style-type: none"> <li>•Small size, low power consumption.</li> <li>•Easy install with two 2 mm screw holes.</li> <li>•With reverse polarity protection</li> </ul>
Uses	<ul style="list-style-type: none"> <li>•Electric cabinet, Equipment warning, Machinery Refilling, Door closing.</li> </ul>