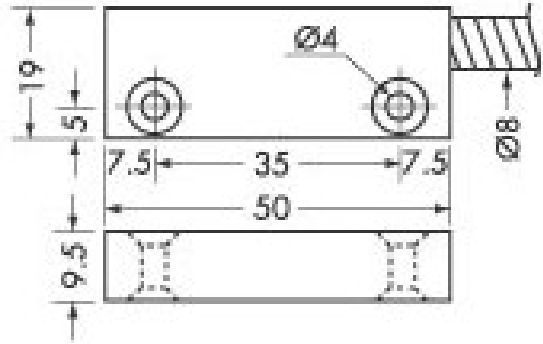




Metal Magnetic Reed Switch
 Model No:MAC-706A AL-NC



ELECTRICAL CHARACTERISTICS OF MODEL NO:MAC-706 A AL-NC

DIMENSION	50(L) x 19(W) x 9.5(H) mm
Features	Aluminum Type
color	silver
Operating distance	>2.5cm
Specification	contact: normal closed wire length: >25CM contact rating: 0.5A @ 75 VDC / 100 VAC lifetime (resistive loads): 1.000.000 (75VDC,100mA) operating temperature: -10~50°C
Uses	can be used for doors and windows Household appliances
Snake Tube length	>15CM